

CV Series - CV4501

AIR

Specifications:

Height: 8.44" (21.44 cm)

Width: 7.16" (18.19 cm)

Depth: 5.61" (14.25 cm)

Weight: 3.3 lbs (1.5 kg)

Ports: 1 3/16-12 UN-2B
SAE O-ring Thread

Service Clearance (Bottom):
2.25" (5.7 cm)

Max Airflow: 10 CFM (283 LM)

Max Engine Rating: 200 HP (149 KW)

Note: Open system CV assemblies do not include a visual restriction indicator.

Hose Fittings sold separately - See parts section

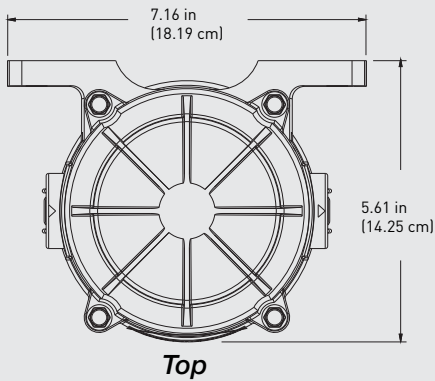
Create a Part Number

Housing Type	Open Crankcase Ventilation Filter	Filtration Rating	CV Model Up to 10 CFM - 200hp	Bypass Type *	Non-Bypass Assembly	Filtration Type	Low Density Media High Density Media	Flow Direction	Left Side - Inlet Right Side - Inlet
CV		45		01		-04 -08	L R		

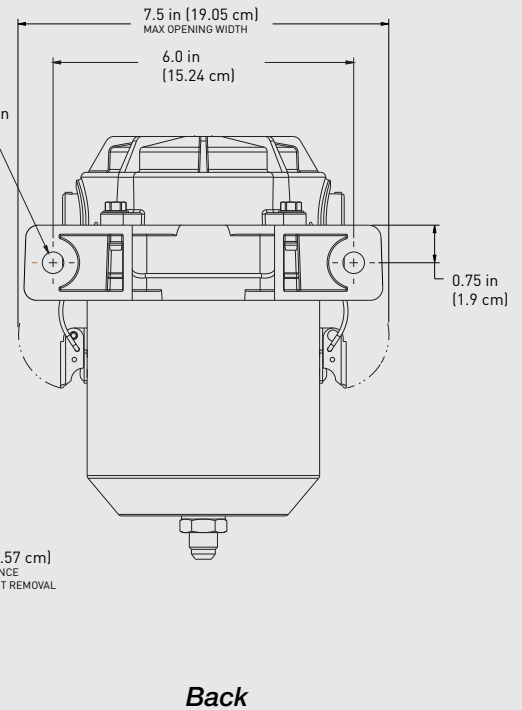
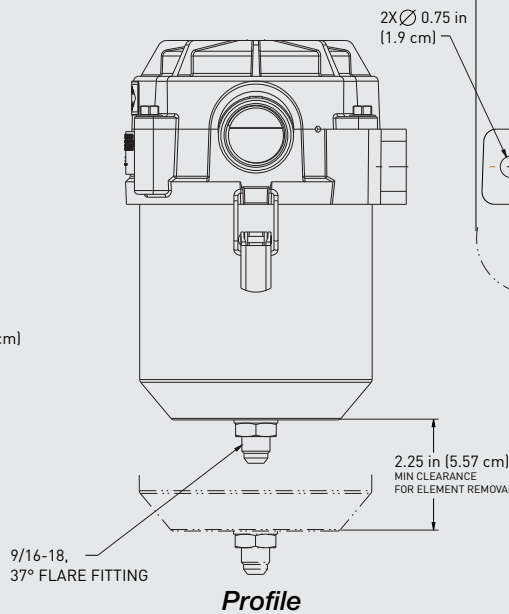
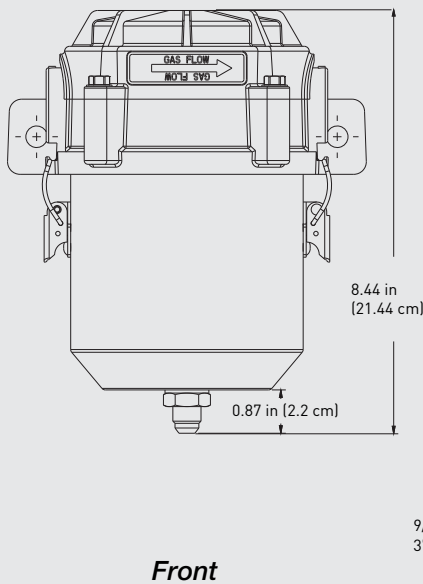
* If plugged: Non-Bypass assemblies will experience increased pressure on oil pan and non-pressurized engine ports.

RACOR®

Dimensions:



ASSEMBLY	DESCRIPTION
CV4501-04L	Closed System; Up to 10 CFM; Non-Bypass; Low Density Media; Left Inlet
CV4501-04R	Closed System; Up to 10 CFM; Non-Bypass; Low Density Media; Right Inlet
CV4501-08L	Closed System; Up to 10 CFM; Non-Bypass; High Density Media; Left Inlet
CV4501-08R	Closed System; Up to 10 CFM; Non-Bypass; High Density Media; Right Inlet

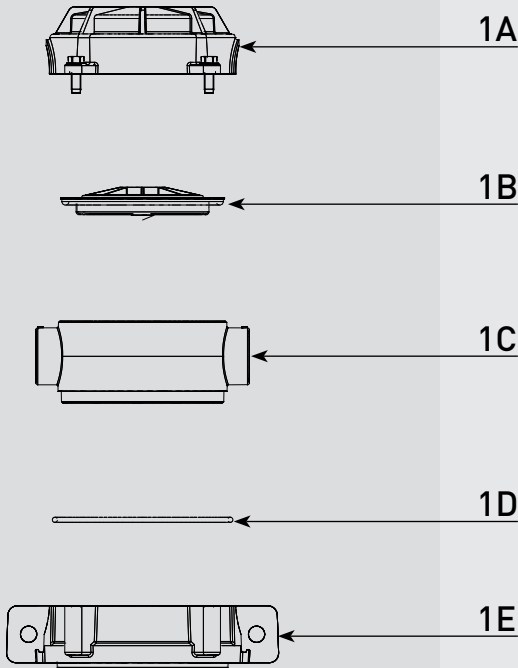


WARNING: The products described in this literature can expose you to chemicals including Diisononyl phthalate, Carbon black extract, which are known to the State of California to cause cancer. For more information go to www.P65Warnings.ca.gov.

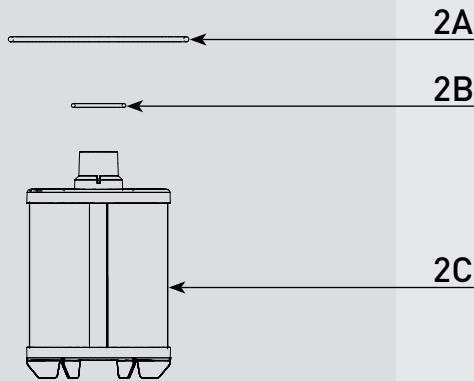
PARTS

CV Series - CV4501

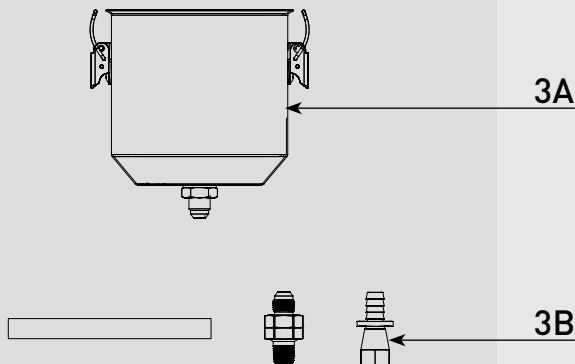
1



2



3



Part #	Description
1A	CV4501 Head Assembly
1B	CV4501 Diaphragm
1C	CV4501 Valve
1D	Housing Gasket
1E	Head Assembly Bracket

2A	CCV Housing Gasket	
2B	CCV Filter O-ring	
2C	CCV55248-04	CV4501 Replacement Element - Low Density - Includes 2A & 2B
	CCV55248-08	CV4501 Replacement Element - High Density - Includes 2A & 2B

3A	CCV55249	CV4501 Housing Assembly - Includes 2A
3B	CCV55022	Drain Kit - 3/8" I.D. x 3' Hose, Check Valve, (2) Swivel Fitting

Available Fittings, Hose, Fittings + Hose Kits (Not Shown)

NOTE: Initial Install Requires Fittings & Hose; See Brochure 7790 for requirements

4A	CCV55250	Inlet/Outlet Fitting - 1" OD Hose Barb to 1 3/16" SAE
	CCV55251	Inlet/Outlet Fitting - 3/4" OD Hose Barb to 1 3/16" SAE
	CCV55280	Inlet/Outlet Fitting - 1 1/4" OD Hose Barb to 1 3/16" SAE
4B	CV1034-01-C	Inlet/Outlet Hose - 3/4" ID Hose (Per Ft.)
	CV1100-01-C	Inlet/Outlet Hose - 1" ID Hose (Per Ft.)
	CV1114-01-C	Inlet/Outlet Hose - 1 1/4" ID Hose (Per Ft.)
4C	CCV55024	Hose/Fitting Kit - (1) 3/4" fitting, (1) 1" Fitting, (1) 3/4" ID x 4' hose, (1) 1" ID x 4' hose, (4) Clamps & Ties
	CCV55025	Hose/Fitting Kit - (2) 1" Fittings, (1) 1" ID x 8' hose, (4) Clamps & Ties
	CCV55037	Hose/Fitting Kit - (1) 1 1/4" fitting, (1) 1" Fitting, (1) 1 1/4" ID x 4' hose, (1) 1" ID x 4' hose, (4) Clamps & Ties
	CCV55038	Hose/Fitting Kit (For Multi-unit Install) - (1) 3/4" fitting, (1) 1" Fitting, (1) 3/4" ID x 6' hose, (1) 3/4" Tee fitting, (1) 1" ID x 4' hose, (8) Clamps & Ties

Accessories and Parts Available (Not Shown)

5A	CCV55390	Heavy-Duty Wear Spacer - <i>Protects element from excessive vibrations</i>
5B	CCV55547-02	90° Hose Adapter Fitting
5C	CCV55461	CCV Heater Kit - 120v AC (100w)
	CCV55461-12	CCV Heater Kit - 12v DC (100w)
	CCV55461-24	CCV Heater Kit - 24v DC (100w)
5D	CCV55615-01	Electronic Remote Filter Gauge Kit



Online Link
CV Product Selector

RSL0383_CUT_CV4501 (05/18 Rev -)

CV Series - CV6001

AIR

Specifications:

Height: 11.19" (28.42 cm)

Width: 8.59" (21.82 cm)

Depth: 7.3" (18.54 cm)

Weight: 5.0 lbs (2.3 kg)

Ports: 1 5/8-12 UN-2B
SAE O-ring Thread

Service Clearance (Bottom):
4.0" (10.2 cm)

Max Airflow: 20 CFM (566 LM)

Max Engine Rating: 400 HP (298 KW)

Note: Open system CV assemblies do not include a visual restriction indicator.

Hose Fittings sold separately - See parts section

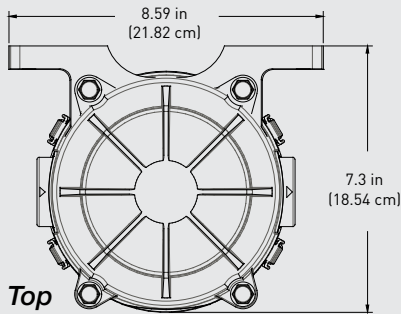
Create a Part Number

Housing Type	Filtration Rating	Bypass Type *	Filtration Type	Flow Direction
Open Crankcase Ventilation Filter	CV Model Up to 20 CFM - 400HP	Non-Bypass Assembly	High Density Media	Left Side - Inlet Right Side - Inlet
CV	60	01	-08	L R

* If plugged: Non-Bypass assemblies will experience increased pressure on oil pan and non-pressurized engine ports.

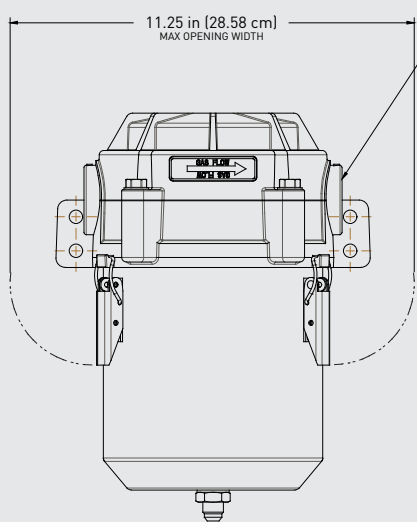
RACOR®

Dimensions:

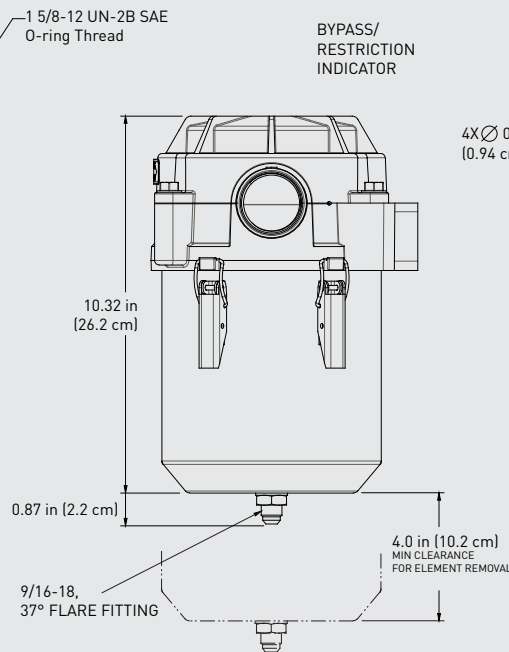


Top

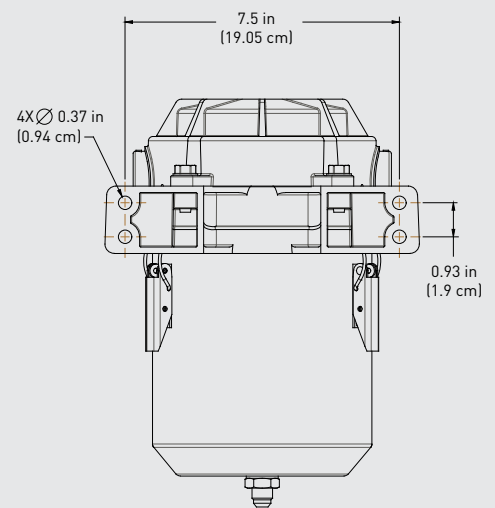
ASSEMBLY	DESCRIPTION
CV6001-08L	Open System; Up to 20 CFM/400 HP; Non-Bypass; High Density Media; Left Inlet
CV6001-08R	Open System; Up to 20 CFM/400 HP; Non-Bypass; High Density Media; Right Inlet



Front



Profile



Back

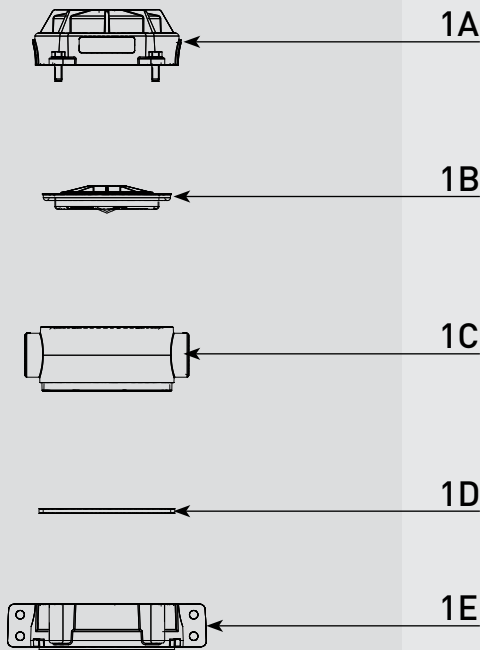


WARNING: The products described in this literature can expose you to chemicals including Diisononyl phthalate, Carbon black extract, which are known to the State of California to cause cancer. For more information go to www.P65Warnings.ca.gov.

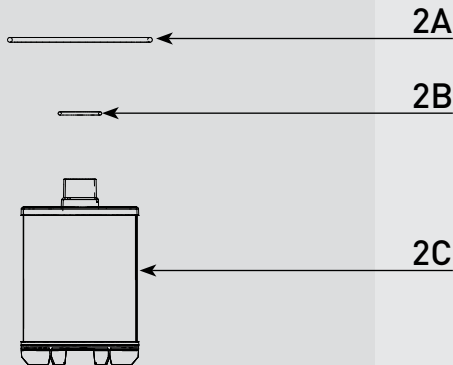
PARTS

CV Series - CV6001

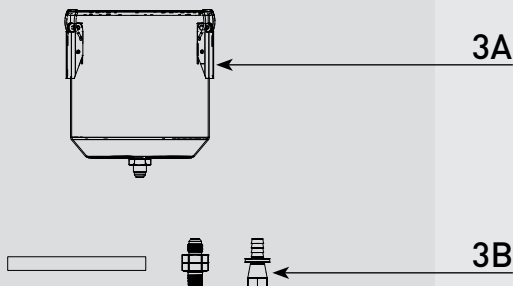
1



2



3



Part #	Description
1A	CV6001 Head Assembly
1B	CV6001 Diaphragm Kit
1C	CV6001 Valve Assy
1D	Housing Gasket
1E	Head Assembly Bracket

2A	CV Housing Gasket
2B	CV Filter O-ring
2C	CCV55274-08 CV6001 Replacement Element - High Density - Includes 2A & 2B

3A	CCV55275 CV6001 Housing Assembly - Includes 2A
3B	CCV55022 Drain Kit - 3/8" I.D. x 3' Hose, Check Valve, (2) Swivel Fitting

Available Fittings, Hose, Fittings + Hose Kits (Not Shown)

NOTE: Initial Install Requires Fittings & Hose; See Brochure 7790 for requirements

4A	CCV55089	Inlet/Outlet Fitting - 3/4" OD Hose Barb to 1 5/8" SAE
	CCV55268	Inlet/Outlet Fitting - 1 1/4" OD Hose Barb to 1 5/8" SAE
	CCV55121	Inlet/Outlet Fitting 90° - 1 1/4" OD Hose Barb to 1 5/8" SAE
	CCV55267	Inlet/Outlet Fitting - 1 1/2" OD Hose Barb to 1 5/8" SAE
4B	CV1034-01-C	Inlet/Outlet Hose - 3/4" ID Hose (Per Ft.)
	CV1114-01-C	Inlet/Outlet Hose - 1 1/4" ID Hose (Per Ft.)
	CV1112-01-C	Inlet/Outlet Hose - 1 1/2" ID Hose (Per Ft.)
4C	CCV55046	Hose/Fitting Kit - (2) 1-1/4" fittings, (1) 1-1/4" ID x 8 foot hose, (4) clamps, (4) ties
	CCV55047	Hose/Fitting Kit - (2) 1-1/4" fittings, (1) 1-1/4" Tee fitting, (1) 1-1/4" ID x 10 foot hose, (8) clamps, (8) ties
	CCV55048	Hose/Fitting Kit - (2) 1-1/4" fittings, (1) 1-1/2" ID x 4 foot hose, (1) bushing reducer, (1) 1-1/4" ID x 4 foot hose, (4) clamps, (4) ties
	CCV55049	Hose/Fitting Kit - (2) 1-1/4" fittings, (1) 1-1/2" ID x 5 foot hose w/2" cuff, (1) bushing reducer, (1) 1-1/4" ID x 4 foot hose, (4) clamps, (4) ties

Accessories and Parts Available (Not Shown)

5A	CCV55385	Heavy-Duty Wear Spacer - <i>Protects element from excessive vibrations</i>
5B	CCV55462	CCV Heater Kit - 120v AC (150w)
	CCV55462-12	CCV Heater Kit - 12v DC (150w)
	CCV55462-24	CCV Heater Kit - 24v DC (150w)
5C	CCV55615-01	Electronic Remote Filter Gauge Kit



Online Link
CCV Product Selector

RSL0384_CUT_CV6001 (05/18 Rev -)

CV Series - CV8001

AIR

Specifications:

Height: 13.2" (33.58 cm)

Width: 10.61" (26.95 cm)

Depth: 9.3" (23.61 cm)

Weight: 8.7 lbs (3.9 kg)

Ports: 1 7/8-12 UN-2B SAE O-ring Thread

Service Clearance (Bottom): 5.0" (12.7 cm)

Max Airflow: 40 CFM (1133 LM)

Max Engine Rating: 800 HP (596 KW)

Note: Open system CV assemblies do not include a visual restriction indicator.

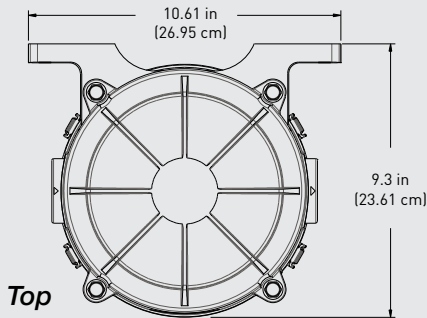
Hose Fittings sold separately - See parts section

Create a Part Number

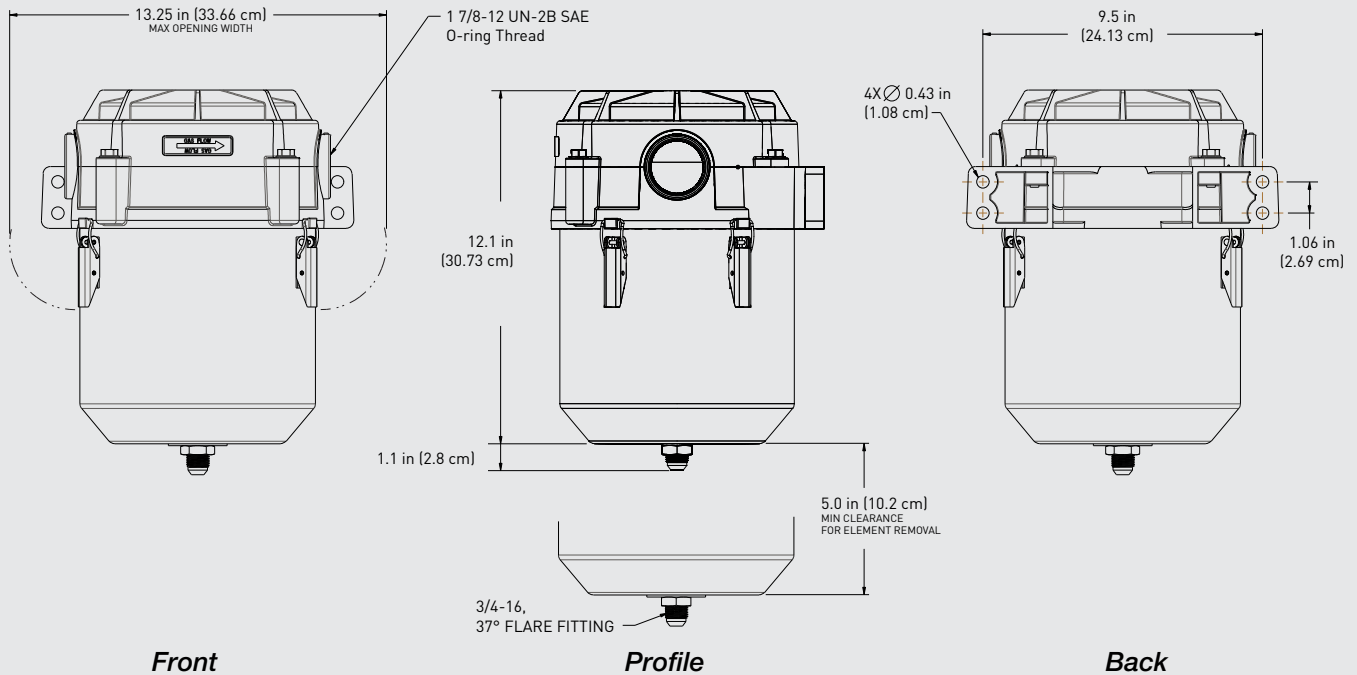
Housing Type	Filtration Rating	Bypass Type *	Filtration Type	Flow Direction
Open Crankcase Ventilation Filter	CV Model Up to 40 CFM - 800HP	Non-Bypass Assembly	High Density Media	Left Side - Inlet Right Side - Inlet
CV	80	01	-08	L R

* If plugged: Non-Bypass assemblies will experience increased pressure on oil pan and non-pressurized engine ports.

Dimensions:



ASSEMBLY	DESCRIPTION
CV8001-08L	Closed System; Up to 40 CFM/800 HP; Non-Bypass; High Density Media; Left Inlet
CV8001-08R	Closed System; Up to 40 CFM/800 HP; Non-Bypass; High Density Media; Right Inlet

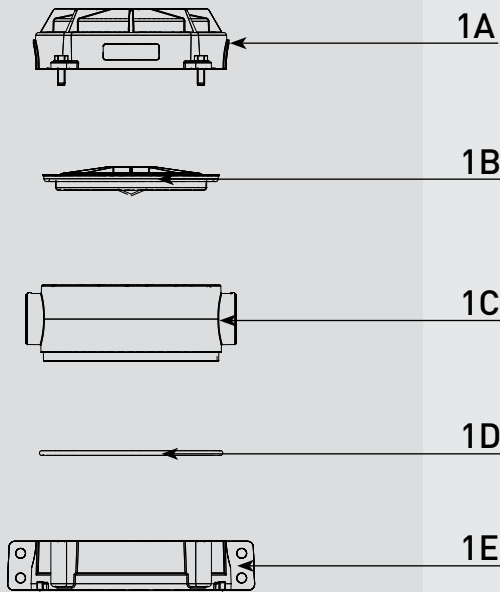


WARNING: The products described in this literature can expose you to chemicals including Diisononyl phthalate, Carbon black extract, which are known to the State of California to cause cancer. For more information go to www.P65Warnings.ca.gov

PARTS

CV Series - CV8001

1



Part #	Description
1A	CV8001 Head Assembly (Non-Bypass Assy.)
1B	CV8001 Diaphragm Kit
1C	CV Valve (Bypass Assy.)
1D	Housing Gasket
1E	Head Assembly Bracket

2A	CV Housing Gasket
2B	CV Filter O-ring
2C	CCV55222-08 CV8001 Replacement Element - High Density - Includes 2A & 2B

3A	CCV55223 CV8001 Housing Assembly - Includes 2A
	CCV55613-08 CV12001 Conversion Kit - Includes 2A, 2B, New Element (CCV55222-12-08), and 5A
3B	CCV55071 Drain Kit - 1/2" I.D. x 3' Hose, Check Valve, (2) Swivel Fitting

Available Fittings, Hose, Fittings + Hose Kits (Not Shown)

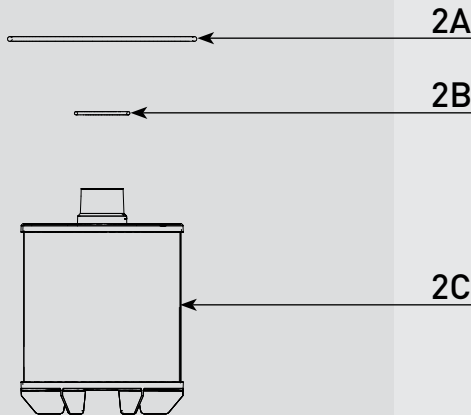
NOTE: Initial Install Requires Fittings & Hose; See Brochure 7790 for requirements

4A	CCV55218 Inlet/Outlet Fitting - 1 1/2" OD Hose Barb to 1 7/8" SAE
4B	CV1112-01-C Inlet/Outlet Hose - 1 1/2" ID Hose (Per Ft.)
4C	CCV55067 Hose/Fitting Kit - (2) 1-1/2" fittings, (1) 1-1/2" ID x 10 foot hose, (1) bushing reducer, (4) clamps and (4) ties
	CCV55068 Hose/Fitting Kit - (2) 1-1/2" fittings, (1) 1-1/2" Tee fitting, (1) 1-1/2" ID x 12 foot hose, (2) bushing reducers, (8) clamps and (8) ties
	CCV55069 Hose/Fitting Kit - (2) 1-1/2" fittings, (1) 1-1/2" ID x 5 foot hose w/2" cuff, (1) bushing reducer, (1) 1-1/2" ID x 5 foot hose, (4) clamps and (4) ties

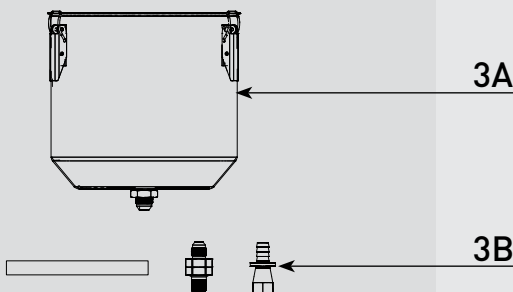
Accessories and Parts Available (Not Shown)

5A	CCV55374 Heavy-Duty Wear Spacer - <i>Protects element from excessive vibrations</i>
5B	CCV55463-24 CCV Heater Kit - 24v DC (200w)
5C	CCV55615-01 Electronic Remote Filter Gauge Kit

2



3



Online Link
CCV Product Selector

RSL0386_CUT_CV8001 (07/18 Rev -)

CV Series - CV12001

AIR

Specifications:

Height: 17.2" (43.68 cm)
Width: 10.61" (26.95 cm)
Depth: 9.3" (23.61 cm)
Weight: 9.3 lbs (4.2 kg)
Ports: 1 7/8-12 UN-2B SAE O-ring Thread
Service Clearance (Bottom): 11.0" (27.94 cm)
Max Airflow: 50 CFM (1416 LM)
Max Engine Rating: 1000 HP (745 KW)

Note: Open system CV assemblies do not include a visual restriction indicator.

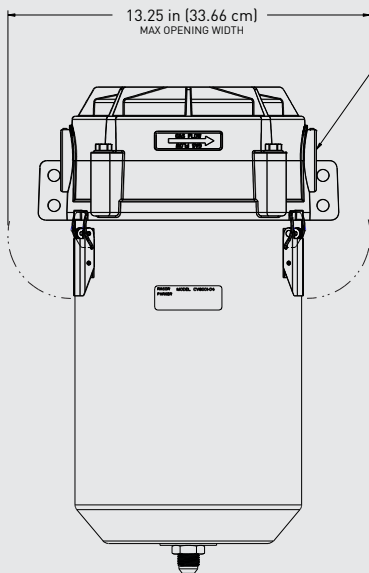
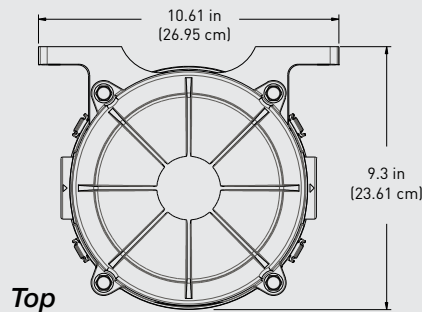
Hose Fittings sold separately - See parts section

Create a Part Number

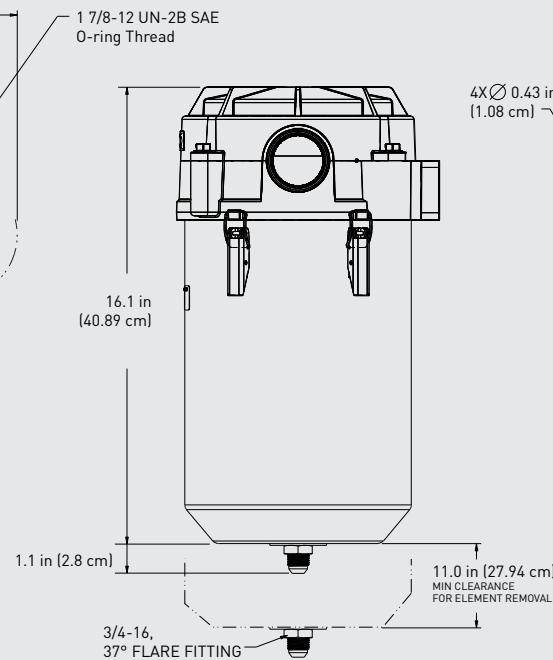
Housing Type	Filtration Rating	Bypass Type *	Filtration Type	Flow Direction
Open Crankcase Ventilation Filter	CCV Model Up to 50 CFM - 1000HP	Non-Bypass Assembly	High Density Media	Left Side - Inlet Right Side - Inlet
CV	120	01	-08	L R

* If plugged: Non-Bypass assemblies will experience increased pressure on oil pan and non-pressurized engine ports.

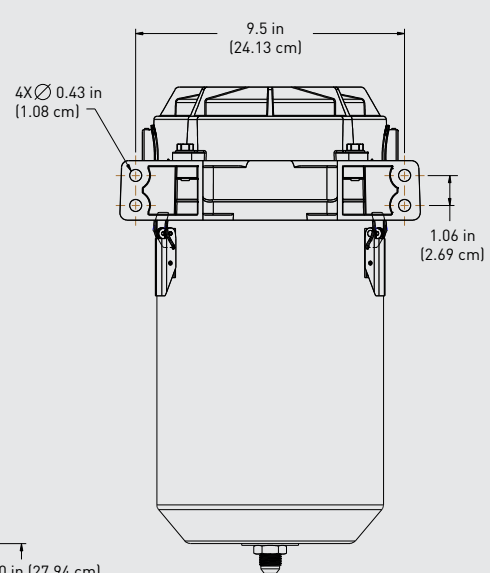
Dimensions:



Front



Profile



Back

ASSEMBLY	DESCRIPTION
CV12001-08L	Closed System; Up to 50 CFM/1000 HP; Non-Bypass; High Density Media; Left Inlet
CV12001-08R	Closed System; Up to 50 CFM/1000 HP; Non-Bypass; High Density Media; Right Inlet

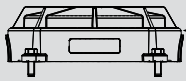


WARNING: The products described in this literature can expose you to chemicals including Diisononyl phthalate, Carbon black extract, which are known to the State of California to cause cancer. For more information go to www.P65Warnings.ca.gov.

PARTS

CV Series - CV12001

1



1A



1B



1C



1D



1E

Part #	Description
1A	CV12001 Head Assembly (Non-Bypass Assy.)
1B	CV12001 Diaphragm
1C	CV Valve (Non-Bypass Assy.)
1D	Housing Gasket
1E	Head Assembly Bracket

2A	CV Housing Gasket
2B	CV Filter O-ring
2C	CCV55222-12-08 CV12001 Replacement Element - High Density - Includes 2A & 2B

3A	CCV55613-08 CV12001 Conversion Kit - Includes 2A, 2B, 2C (-08), and 5A
3B	CCV55071 Drain Kit - 1/2" I.D. x 3' Hose, Check Valve, (2) Swivel Fitting

Available Fittings, Hose, Fittings + Hose Kits (Not Shown)

NOTE: Initial Install Requires Fittings & Hose; See Brochure 7790 for requirements

4A	CCV55218 Inlet/Outlet Fitting - 1 1/2" OD Hose Barb to 1 7/8" SAE
4B	CV1112-01-C Inlet/Outlet Hose - 1 1/2" ID Hose (Per Ft.)
4C	CCV55067 Hose/Fitting Kit - (2) 1-1/2" fittings, (1) 1-1/2" ID x 10 foot hose, (1) bushing reducer, (4) clamps and (4) ties
	CCV55068 Hose/Fitting Kit - (2) 1-1/2" fittings, (1) 1-1/2" Tee fitting, (1) 1-1/2" ID x 12 foot hose, (2) bushing reducers, (8) clamps and (8) ties
	CCV55069 Hose/Fitting Kit - (2) 1-1/2" fittings, (1) 1-1/2" ID x 5 foot hose w/2" cuff, (1) bushing reducer, (1) 1-1/2" ID x 5 foot hose, (4) clamps and (4) ties

Accessories and Parts Available (Not Shown)

5A	CCV55374 Heavy-Duty Wear Spacer - <i>Protects element from excessive vibrations</i>
5B	CCV55463-24 CCV Heater Kit - 24v DC (200w)
5C	CCV55615-01 Electronic Remote Filter Gauge Kit

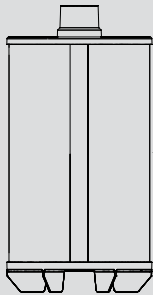
2



2A

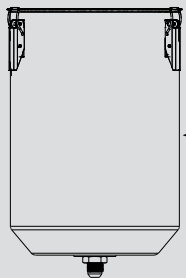


2B

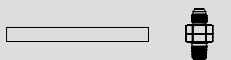


2C

3



3A



3B



Online Link
CCV Product Selector

RSL0387_CUT_CV12001 (07/18 Rev -)

Questions? Email: racortech@parker.com Phone: 800-344-3286 News: www.racornews.com