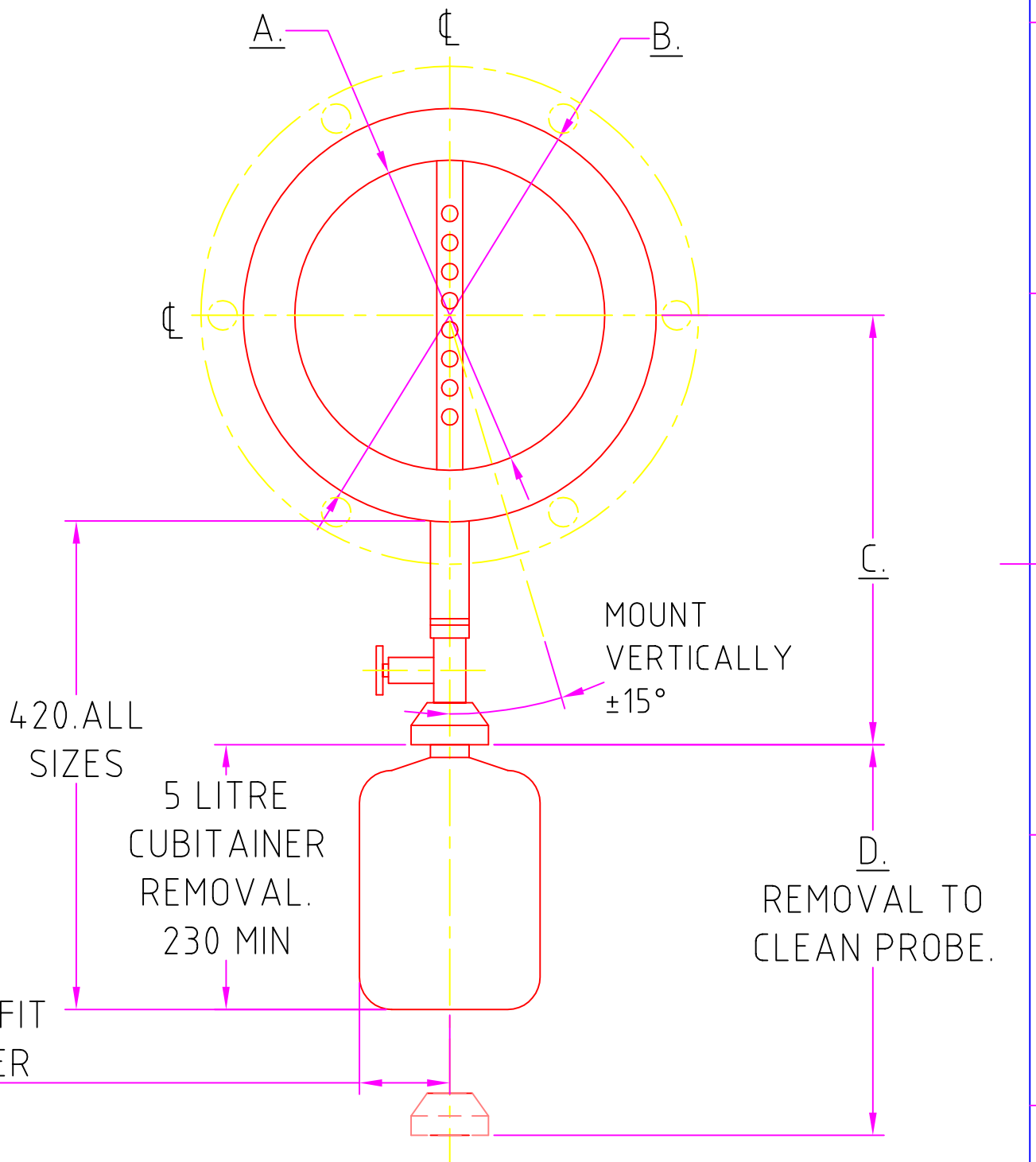


STOCK NO.	NORMAL PIPE SIZE	FLANGE BORE-A	FLANGE O/D-B	PIPE C/L TO BASE-C	PROBE REMOVAL-D
FG-K1-122-KW	2"	2.48" 63MM	3.74" 95MM	5.68" 144.3MM	7.15" 181.8MM
FG-K1-123-KW	3"	3.40" 86MM	5" 127MM	9.4" 238MM	8.46" 215MM
FG-K1-124-KW	4"	4.57" 116MM	6.2" 157MM	10" 254MM	9.45" 240MM
FG-K1-125-KW	5"	5.66" 144MM	7.4" 188MM	10.6" 269MM	10.43" 265MM
FG-K1-126-KW	6"	6.72" 171MM	8.5" 216MM	11.1" 283MM	11.42" 290MM
FG-K1-127-KW	7"	7.65" 194MM	9.5" 241MM	11.7" 296MM	12.40" 315MM
FG-K1-128-KW	8"	8.72" 221MM	10.5" 266MM	12.1" 308MM	13.38" 340MM
FG-K1-129-KW	9"	10.25" 260MM	12.1" 307MM	12.9" 329MM	14.57" 370MM
FG-K1-130-KW	10"	11.08" 281MM	12.9" 328MM	13.3" 339MM	15.75" 400MM
FG-K1-131-KW	11"	12.58" 319MM	14.2" 361MM	14" 355MM	16.73" 425MM
FG-K1-132-KW	12"	13.38" 340MM	15.8" 401MM	14.8" 375MM	17.72" 450MM
FG-K1-133-KW	14"	14.76" 375MM	16.53" 420MM	15.2" 385MM	19.9" 505MM

RevNo	Revision note	Date	Signature	Checked
4	Convered to CAD using BS020- 3/3 and part numbers updated	12/3/01	TSK	
5	14" ADDED	20/7/05	TSK	
6	Material specification changed to include 304 s/s	22/11/05	TSK	
7	Dimention C reduced on all samplers due to new valve	3/1/06	TSK	
8	Dimention C tollerance opend due to supplier change in june 2005	4/1/06	TSK	
9	FG-K1-122-KW - 2" Variant added	21-05-07	MKH	



NOMINAL FLANGE THICKNESS: 25 - 26 mm

TOTAL THICKNESS (INCLUDING GASKETS); 31 - 32mm

ALL DIMNS AS STATED

TOLERANCE ±2mm EXCEPT DIM 'C' WHICH IS -2 +20mm DUE TO SUPPLIERS VALVE CHANGES.

SURFACES TO HAVE MACHINED FINISH.

MATERIAL: S/STEEL 304 OR 316.

Units 3 & 4 Thorgate Road
Littlehampton
West Sussex
BN17 7LU
Tel: +44 (0)1903 731470
Fax: +44 (0)1903 731480
Email: mail@kwdev.demon.co.uk

Filename: BS-031 BUNKER SAMPLER FLANGE SIZES & INSTALATION DETAIL 9.dwg				
Designed by G.M.	Checked by	Approved by - date	Date 1.6.95	Scale @ A3 -
BUNKER SAMPLER FLANGE SIZES & INSTALATION DETAIL				
BUNKER SAMPLER		BS-031	Issue 9	Sheet 1/1