

Turbine Series - 731000FH

FUEL

Specifications:

Height: 21.8" (55.37 cm)

Width: 16.5" (41.91 cm) with Bracket

Depth: 12.0" (30.48 cm) with Bracket

Weight: 26.0 lbs (11.8 kg)

Ports: 3/4"-14 NPT

Service Clearance (Top): 10.0" (25.4 cm)

Vacuum Installation Recommended

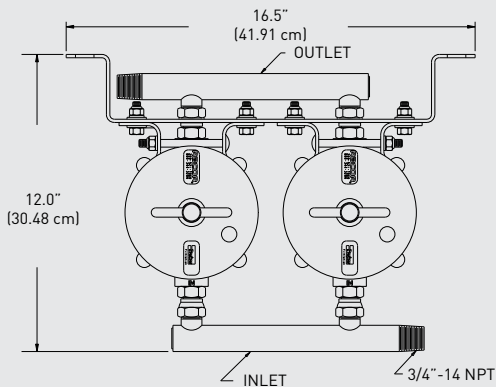
Maximum Pressure: 15 psi (1.03 bar)

Max Flow Rate: 360 gph (1362 lph)

Create a Part Number

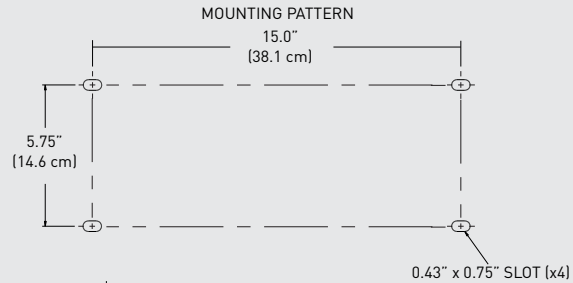
Housing Type	Dual Assembly 360 GPH Flow Rate	Filter Model	Turbine Model 180 GPH Flow Rate (X2)	Filteration Rating	2 micron 10 micron 30 micron
	73		1000FH		2 10 30

Dimensions:

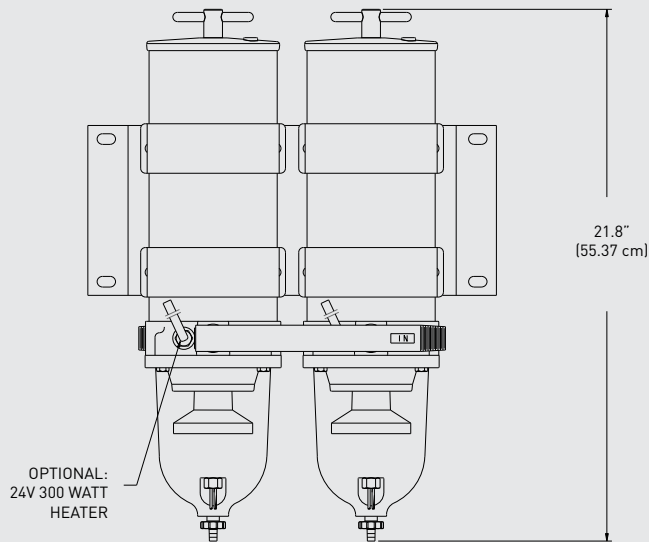


731000FH Top

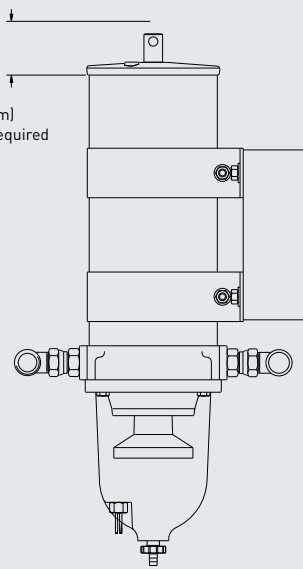
ASSEMBLY	DESCRIPTION
731000FH2	Dual 1000 Turbine Assy., 2 micron Filter
731000FH10	Dual 1000 Turbine Assy., 10 micron Filter
731000FH30	Dual 1000 Turbine Assy., 30 micron Filter



10.0" (25.4 cm)
Clearance Required
for Service



731000FH Front



731000FH Profile



WARNING: The products described in this literature can expose you to chemicals including Diisononyl phthalate, Carbon black extract, which are known to the State of California to cause cancer. For more information go to www.P65Warnings.ca.gov.

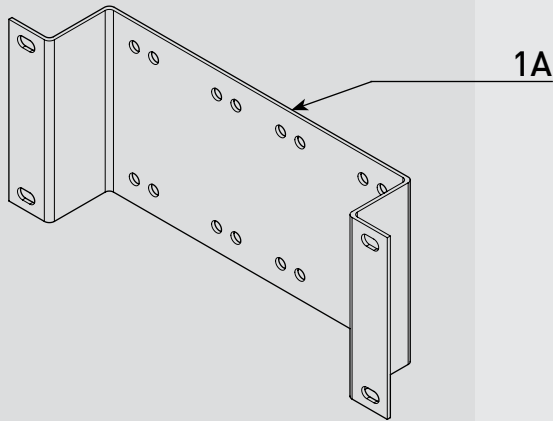
RACOR®

DUAL ASSEMBLIES

PARTS

Turbine Series - 731000FH

1

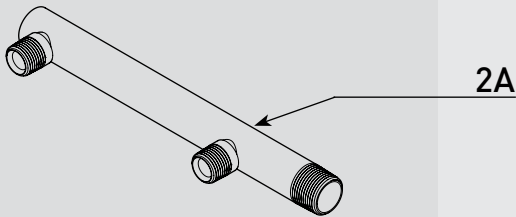


Part #	Description
1A 11065	Mounting Bracket - 731000FH - Bracket only
2A RK 11892	Inlet/Outlet Manifold Tube (3/4"-14 NPT)
3A	Turbine Fuel Filter - 1000FH Series See Cutsheet RSL0292 for available Parts and Accessories

Accessories and Parts Available (Not Shown)

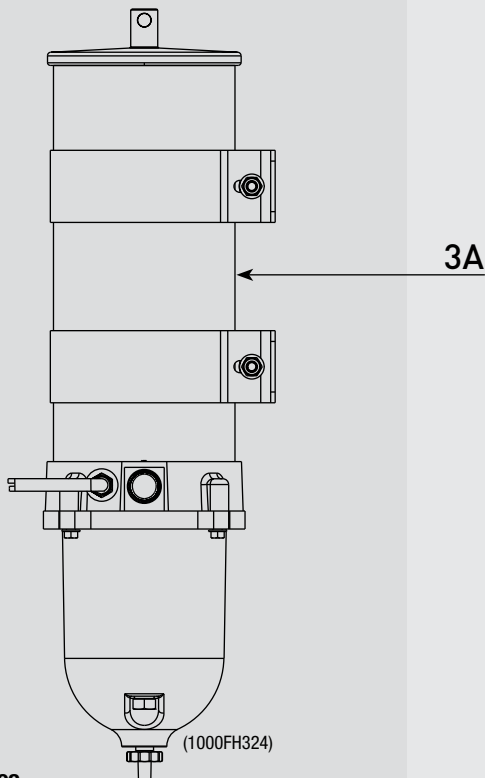
6A	RK 11-1952	Complete Seal Service Kit - 900FH/1000FH Series Filters (Requires 2)
	RK 11-1404	Complete Seal Service Kit - 900/1000 Series Filters For FG and Older Models (Requires 2)
6B	RK30880E	WIF Sensor and Light Kit - 1/2"-20 UNF
	RK33802	WIF Probe Kit - 1/2"-20 UNF - Two Wire Pigtail Water Detection Module Required - Use 6C
6C	RK 14329	Water Detection Module - 12 vdc
	RK 14321	Water Detection Module - 24 vdc

2



7A		Bowl Gasket - Included in 6A
7B	RK 11-1938	Bowl Kit - Includes 7A, 7C & 7D
7C	RK 20126	Bowl Plug (O-ring Included in 6A)
7D		Self-venting Drain (O-ring Included in 6A)

3



8A	2020N-02	1000FH Replacement Element 2 micron
	2020N-10	1000FH Replacement Element 10 micron
	2020N-30	1000FH Replacement Element 30 micron

See **RSL0292**
For 1000FH Parts Breakdown